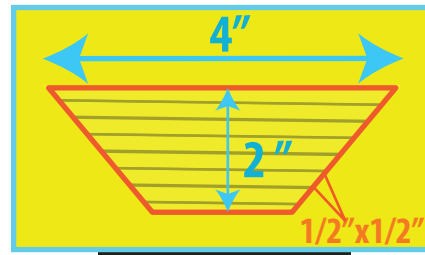


24010P

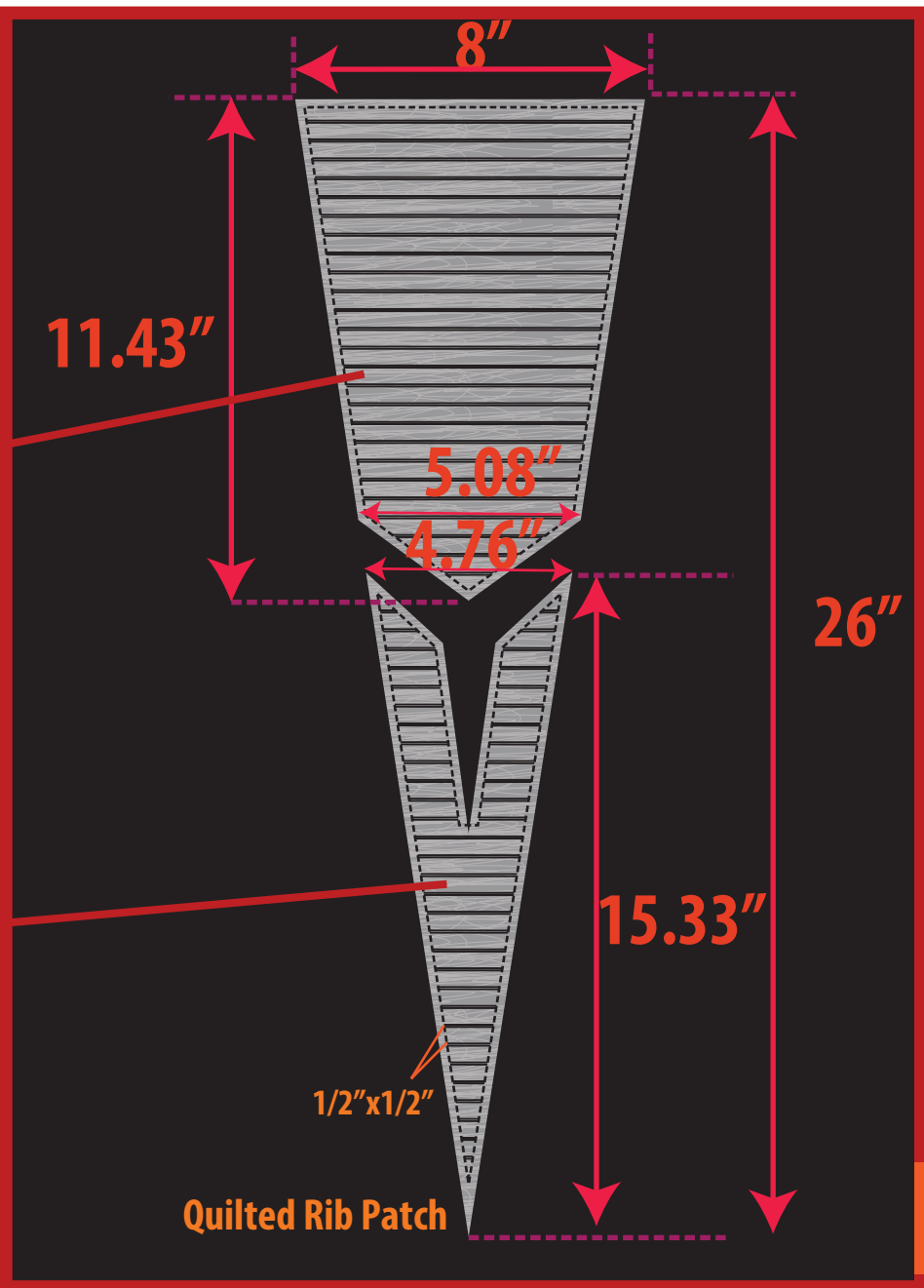
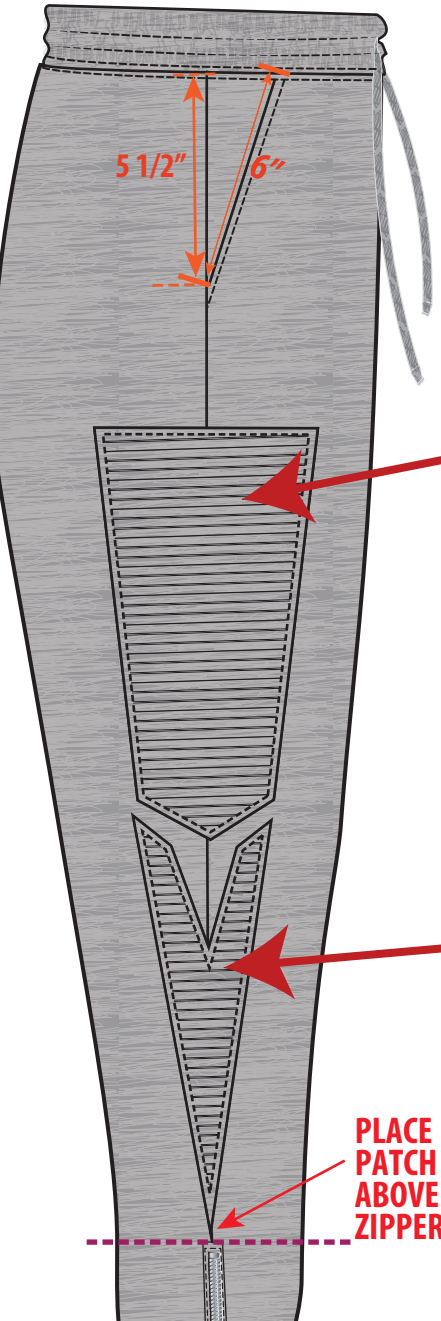
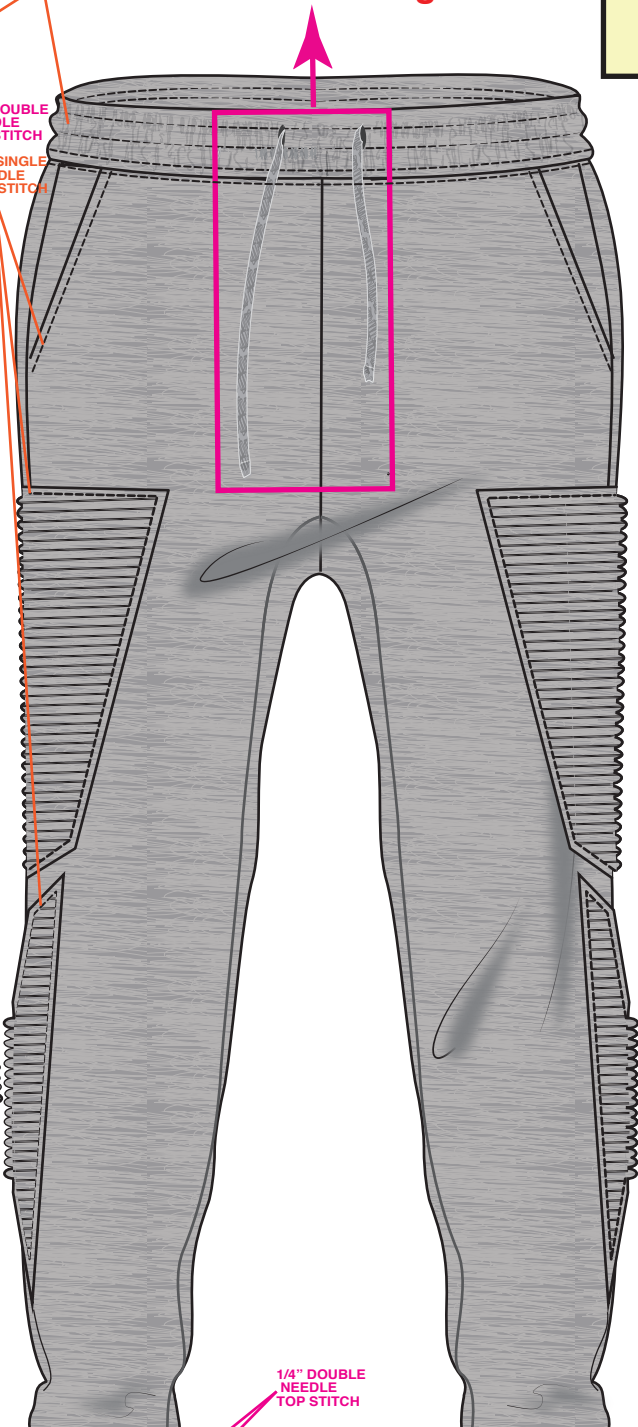
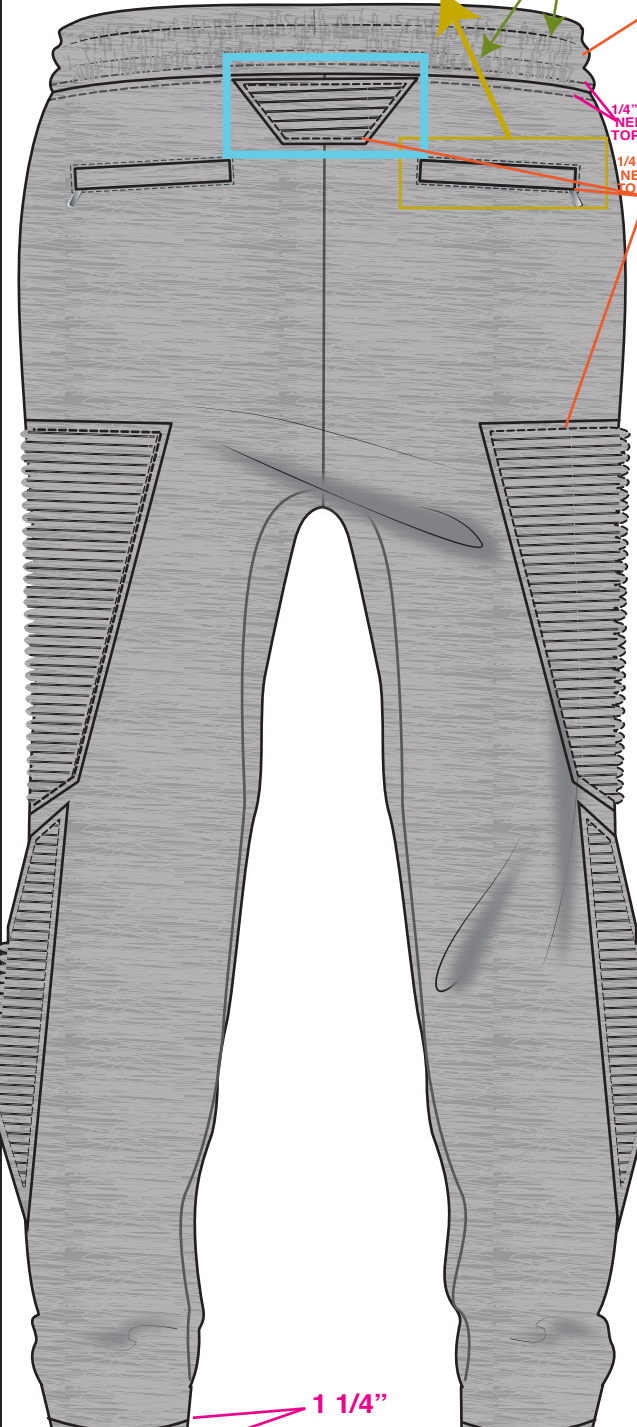
FOLLOW RB5JO0001 FOR OVERALL FIT (NO ANKLE RIB)

SAME BACK WELT PKT W/ DTM ZIP PKT CONSTRUCTION AS THE 8395!
#3 VISLON PLASTIC ZIPPER INSIDE!!
6"



Quilted Rib Patch

| FABRIC | COLOR | RIBPATCH ON LEGS & RIBPATCH ON BACK | PKT ZIPPER #3 Vislon Plastic Zipper | STRING & STITCH | ANKLE ZIPPERS #5 Vislon Plastic Zipper |
|---------------------|--|-------------------------------------|-------------------------------------|-----------------|--|
| FRENCH TERRY | HEATHER WHITE THT/ R001 | 1/2"x1/2" Quilted Rib Patch | DTM BODY | DTM BODY | DTM BODY |
| 240 GSM | HEATHER BLACK THT/ R008 | | | | |
| | HEATHER CHARCOAL THT/ R006 | | | | |
| | HEATHER INK-BLUE Surf The Web 19-3952 TPX | | | | |
| | HEATHER BURGUNDY Burgundy 19-1617 TPX | | | | |
| | HEATHER GRAY THC/T003 | | | | |
| | HEATHER PEA GREEN Cactus 18-0130 TPX | | | | |



PLS FOLLOW ACTUAL SIZE PAGE